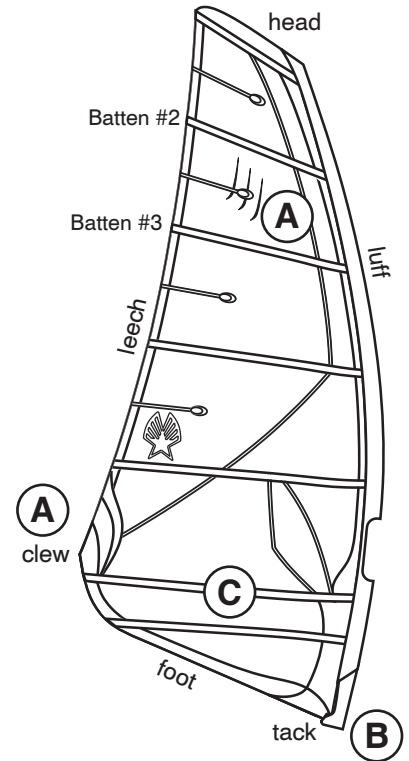




Tuning the Freeride

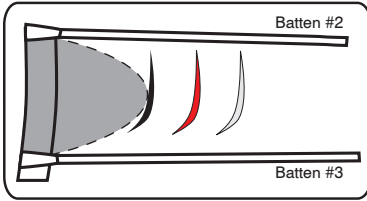
A Setting the Downhaul and Outhaul:

Adjust the downhaul and outhaul together. Match the color coded downhaul marks printed on the leech between battens #2 and #3 with the color coded outhaul cords at the clew.

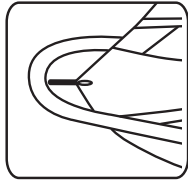


Light Wind

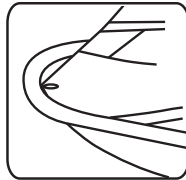
1) Downhaul until the looseness extends to the BLACK mark on the leech.



2) Set boom length to the BLACK cord.

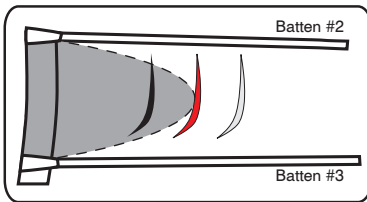


3) Outhaul to the end of the boom.

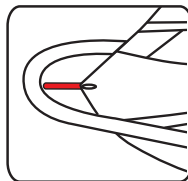


Medium Wind

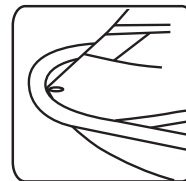
1) Downhaul until the looseness extends to the RED mark on the leech.



2) Set boom length to the RED cord.

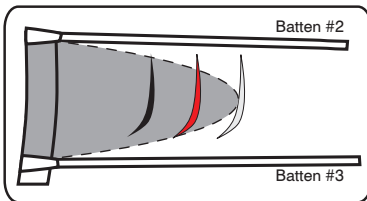


3) Outhaul to the end of the boom.

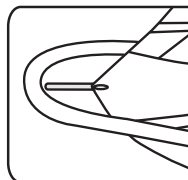


Strong Wind

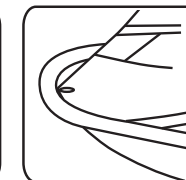
1) Downhaul until the looseness extends to the WHITE mark on the leech.



2) Set boom length to the WHITE cord.



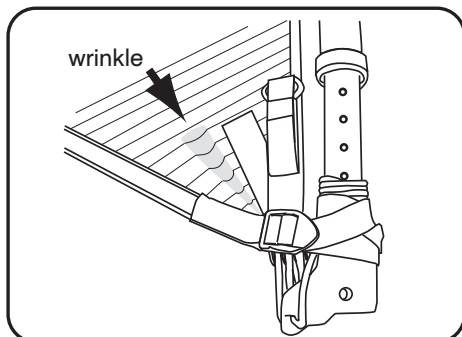
3) Outhaul to the end of the boom.



Note: In order to see the looseness on the leech, the upper leech must be lying on the ground.

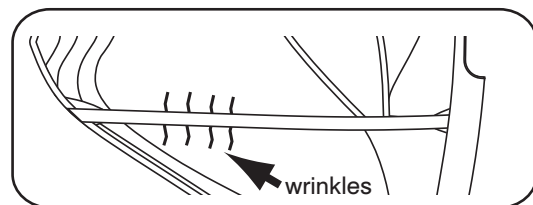
Warning: Do not downhaul beyond the forward white mark. If you are over-powered, apply more outhaul.

B Tack Strap, tighten it and wrap it:



After downhauling, wrap the excess downhaul line around the mast base. Thread the tack strap through the buckle and tension the strap until you get a small wrinkle running out from the corner of the sail. Wrap the end of the tack strap around your mast extension and loop the end of the tack strap under itself and secure the strap with the velcro.

C Batten Tension:



Use the tensioner key that is stored at the tack of the sail and tension the battens until you eliminate any vertical wrinkles that extend out from either side of the batten pocket.

Note: your battens have already been tuned by us in the factory and most likely will not need further tuning. Be careful not to over-tension your battens.

Common Questions:

Why do I need so much positive outhaul for high wind sailing?

Unlike rotational sails, the Ezzy Freeride has been designed with profile built into the sail panels. You must use the outhaul to flatten the profile when setting for stronger wind conditions.

What can I do to make my sail last longer?

1) When you are not sailing, store your sail in the shade away from direct sunlight.
2) Try not to crease your sail while rigging and de-rigging and 3) if you store your sail vertically, make sure it is sleeve-end down. This prevents the leech from being damaged.

Do I need to rinse my sail with fresh water after sailing?

No.

Do I need to dry my sail before rolling it up?

No

What do I do with the pad when rolling the sail?

After rolling the sail, tuck the pad so it rests along the sail, wrap the tack strap around the pad and the sail, then attach the velcro (figure 1).

Which end of the sail goes into the bag first?

To avoid wrinkling the clew, always insert your sail with the sleeve-end first into the bag (figure 2).

My vinyl window has turned hazy blue and is now hard to see through, what should I do?

This happens when you roll your sail up wet with fresh water. Once it dries, it will go back to being clear.

What's the best way to clean my window?

The vinyl window can be cleaned with fresh water and a dry towel.

Problem Solving:

I get jerked forward while sailing.

This can be caused by too little downhaul or a mast that is too stiff in the top. It may also help to move your mast base further back in your mast track.

My sail feels too powerful.

Sail is too full. Try more outhaul and possibly more downhaul.

My sail doesn't feel stable when sailing.

Sail is too full. Try more outhaul and possibly more downhaul.

I need more power.

Sail is too flat. Try less outhaul and possibly less downhaul.

My sail pulls too much on my back arm.

Try more outhaul and possibly less downhaul. Try moving your harness lines further back.

My sail pulls too much on my front arm.

Try less outhaul and possibly more downhaul. Try moving your harness lines further forward.

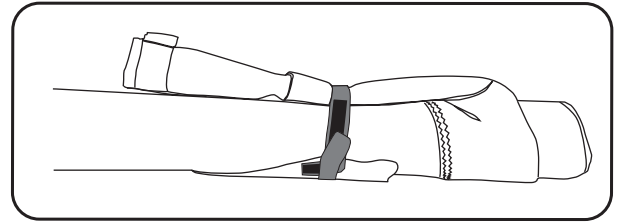
Ezzy Mast:

Does the Ezzy Freeride only work on Ezzy Skinny Masts?

No. The Freeride was designed to work on both skinny and regular diameter masts.

What is the advantage of using a skinny mast?

They are stronger, lighter and easier to maneuver.



(figure 1)

After rolling, wrap the tack strap around the pad and sail.



(figure 2)

To avoid damaging your sail, insert the sail sleeve-end first into the bag.

	Mast		
	430	460	490
5.5	x		
6.0	x		
6.5		x	
7.0		x	
7.5		x	x
8.5			x

(figure 3)

Suggested Masts

